

UR4310 Series

Panel-Mount Receptacle

The UR4310 series of panel-mount receptacles mate with Datakey UFX RUGGEDrive™ (USB) memory tokens, providing a USB 2.0, Hi-Speed interface for embedded systems. See the UFX memory token datasheet for more details. The UR4310 receptacles feature a standard 5-pin motherboard header for easy and quick integration into embedded systems. Standard cables connect the UR4310 to either a 5-pin 0.100" header or a USB Type A receptacle.

The UR4310 receptacles are designed to keep water and other materials from penetrating the enclosure. The receptacles are available in three versions: an IP65-rated (splash-proof) version—the UR4310SP; an IP67-rated (immersion-rated) version—the UR4310IM; and, an IP67-rated version with EMI-reduction features—the UR4310EI. The UR4310EI has its outer shell molded using an electrically-conductive material to reduce electromagnetic emissions through both reflection and absorption.

As with all Datakey SlimLine™ token receptacles, this series features corrosion-resistant, gold-dot contacts that perform reliably over a wear life of at least 50,000 insertion/removal cycles. The design employs a wiping mechanism to remove any debris or build-up on the token's contacts each time the token is inserted or removed. The receptacle includes a detent mechanism that contributes to token retention and gives users tactile and audible confirmation when an inserted token is physically engaged. UR4310 receptacles are inserted from the front of the panel and are secured from the inside using two customer-supplied, M3 screws. The design allows for easy mounting and post-installation tamper evidence. A gasket is provided with each receptacle for sealing.



MECHANICAL	
Operating Life	50,000 Insertion/Removal Cycles Min.
Insertion Force	400 gf Min. / 2 kgf Max.
Removal Force	300 gf Min. / 2 kgf Max.
Vibration	MIL-STD 810F, Test Method 514.5 15 g (three axes) operating
ELECTRICAL	
Contact Resistance	Beginning of Life: < 100 mΩ End of Life: < 500 mΩ
ENVIRONMENTAL	
Storage Temperature	-40°C to +100°C
Operating Temperature	-40°C to +85°C
Relative Humidity	5% to 95% (non-condensing)
Salt-Fog	MIL-STD 810F Method 509.4 Proc. 1
MATING COMPONENTS	
Tokens	UFX RUGGEDrive™ (USB) Tokens
Connector	5-pin (1x5 male) 0.100" Centerline Standard Motherboard Header
24" 5-pin (F) to 5-pin (F) Cable	309-0129-000
30" 5-pin (F) to 5-pin (F) Cable	309-0130-000
Threaded Fasteners	M3 x 0.5 (2.2mm thread depth) Max Torque Rating: 5.5 in-lb
Gasket Material (Receptacle provides positive over-tighten protection.)	Temperature-Resistant Silicone (UR4310SP/UR4310IM Versions) Electrically Conductive Silicone (UR4310EI Version)
Gasket Thickness	0.032", Nominal
ORDERING INFORMATION ¹	
UR4310SP (IP65)	606-0074-000A
UR4310IM (IP67)	606-0074-001A
UR4310EI (IP67/EMI)	606-0074-002A

1: "A" suffix on part number indicates RoHS compliance. See CE declaration below for details.

NOTES: Conforms with Directive 2011/65/EU of the European Parliament and of the Council of 8 June 2011, and as amended by Directive 2015/863/EU, on the restriction of the use of certain hazardous substances in electrical and electronic equipment.

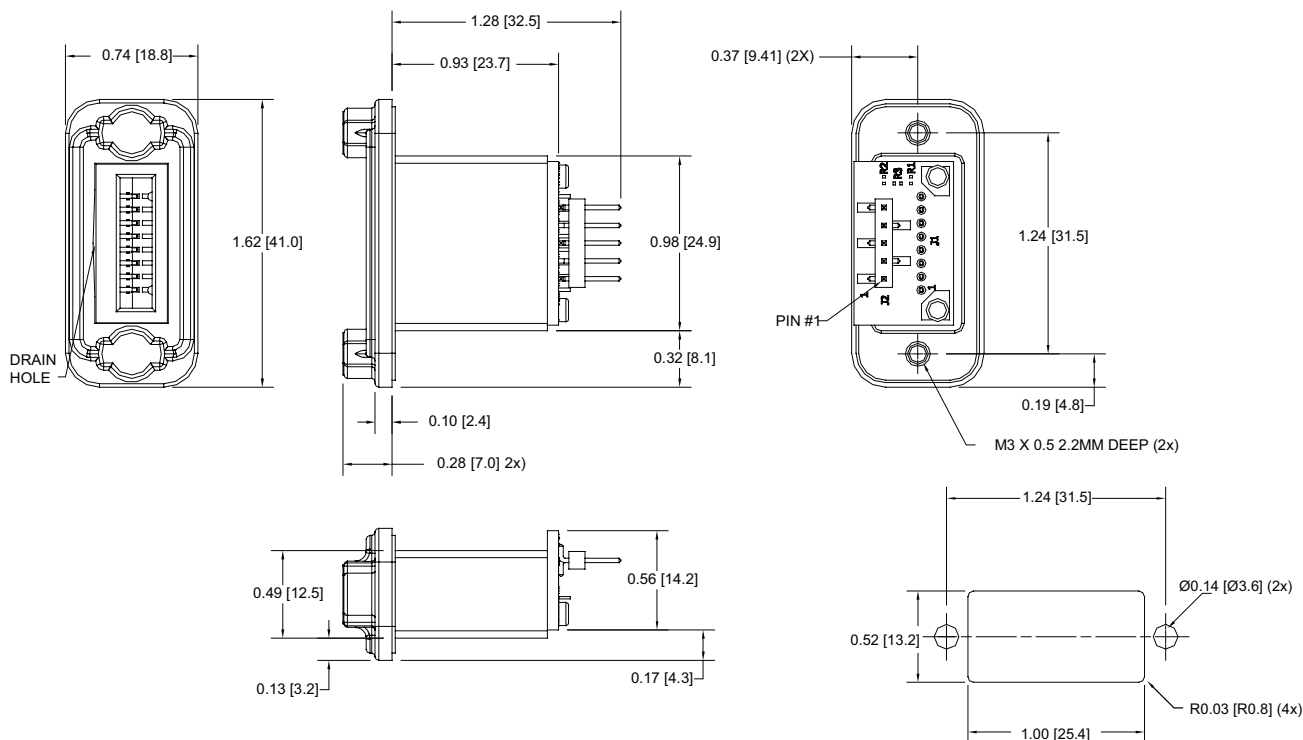


WARNING: Cancer and Reproductive Harm - www.P65Warnings.ca.gov

UR4310 Series



The power of memory. Secured.



Installation Recommendation: For best water drainage, it is recommended that the receptacle be installed with output connector above the housing as shown above.
Note: Installation screws are supplied by the customer.

Panel Cut-out Recommendation: The above recommended panel cut out (1.00" x 0.52") is for a standard 10 gauge (0.135"/3.43mm) material thickness panel. Cut-out dimensions may need to be modified for different panel thicknesses to properly account for the tipping in required during PCB installation.

PIN-OUT CHART	
Pin	UFX (USB)
Pin 1	+5V
Pin 2	DM
Pin 3	DP
Pin 4	GND
Pin 5	SHLD

Drawing dimensions are in inches and millimeters [mm].
Dimensions are nominal and subject to manufacturer's tolerances.



221-0180-000 Rev. D 4/19

View the full product line at www.datakey.com

ATEK Access Technologies
10025 Valley View Road, Ste. 190
Eden Prairie, MN 55344 U.S.A.

PH: 1.800.523.6996
FAX: 1.800.589.3705
+1.218.829.9797

www.atekaccess.com



Access the power of technology.