

UFX PC Adapter

RUGGEDrive™ Interface Adapter

The UFX PC Adapter provides a convenient way to read data from or write data to UFX RUGGEDrive™ memory tokens using a PC. The small, lightweight adapter plugs into USB type A ports. When a UFX token is inserted, it appears to the computer as a USB Mass Storage device (i.e. a USB flash drive). No special drivers should be needed for operating systems that support the USB Mass Storage Class.

Because the UFX memory token already has a USB 2.0 Hi-Speed interface, the UFX PC Adapter simply needs to convert the physical interface from the SlimLine™ contact system of the UFX memory token to the common USB type A plug. The adapter contains no active electronics.



Drawing dimensions are in inches and millimeters [mm].
Dimensions are nominal and subject to manufacturer's tolerances.



221-0178-000 Rev. F 4/19

ATEK Access Technologies
10025 Valley View Road, Ste. 190
Eden Prairie, MN 55344 U.S.A.

PH: 1.800.523.6996
FAX: 1.800.589.3705
+1.218.829.9797

www.atekaccess.com

View our full product line at www.datakey.com

MECHANICAL	
Operating Life (token receptacle)	50,000 Insertion/Removal Cycles Min.
Operating Life (USB type A connector)	1,500 Insertion/Removal Cycles Min.
ELECTRICAL	
Power Requirements	5 V, Supplied Through USB Port
Interface	USB 2.0 Hi-Speed ² (through USB type A plug)
ENVIRONMENTAL	
Storage Temperature	-40°C to + 100°C
Operating Temperature	0°C to + 85°C ²
Relative Humidity	5% to 95% (non-condensing)
RoHS Compliant	Yes
MATING COMPONENT(S)	
UFX PC Adapter	UFX Memory Tokens
ORDERING INFORMATION ¹	
UFX PC Adapter	607-0082-000A

1: "A" suffix on part number indicates RoHS compliance. See CE declaration below for details.

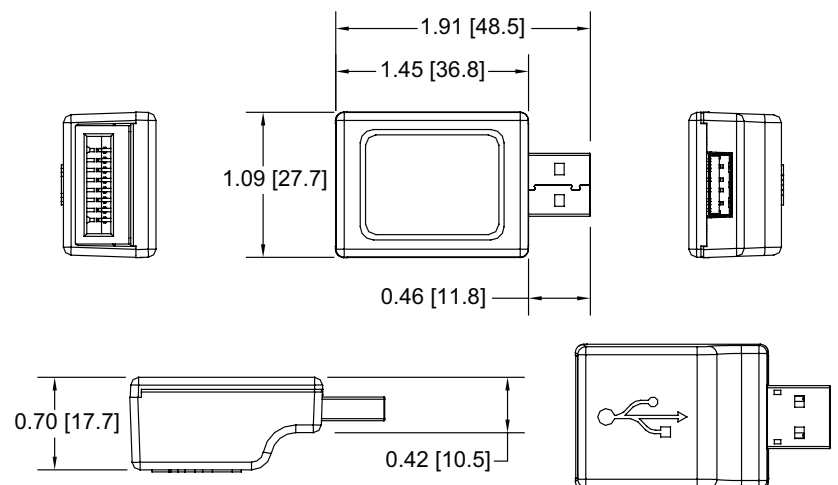
2: When a UFX token is present.

NOTES:

- EN 55022 Class A Statement: Warning: This is a Class A product. In a domestic environment this product may cause radio interference in which case the user may be required to take adequate measures.
- UFX PC Adapter was tested for CE conformity while paired with a UFX memory token.
- Conforms with Directive 2011/65/EU of the European Parliament and of the Council of 8 June 2011, and as amended by Directive 2015/863/EU, on the restriction of the use of certain hazardous substances in electrical and electronic equipment.



WARNING: Cancer and Reproductive Harm - www.P65Warnings.ca.gov



Access the power of technology.