

Special SR4410EI

Panel-Mount Receptacle with SPI Line Driver

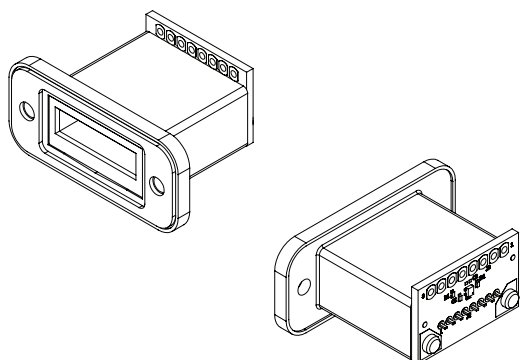


The power of memory. Secured.

The special SR4410EI panel-mount receptacle with SPI line driver circuitry is designed to work with SST, SSM, and SSX series of SPI-EEPROM memory tokens (see token datasheets for more details). The receptacle contains a line driver/buffer on the receptacle's MISO line, providing extra drive for longer cable runs, allowing the receptacle to be remotely mounted from the host. The host design should incorporate matching line driver/buffers for the other signal lines.

The SR4410EI receptacle is designed to keep water and other materials from penetrating the enclosure. The receptacle provides an IP67 rating and incorporates EMI-reduction features. The SR4410EI has its outer shell molded using an electrically-conductive material to reduce electromagnetic emissions through both reflection and absorption.

As with all Datakey SlimLine token receptacles, this series features corrosion-resistant, gold dot contacts that perform reliably over a wear life of at least 50,000 insertion/removal cycles. The design employs a wiping mechanism to remove any debris or build-up on the token's contacts each time the token is inserted or removed. The receptacle includes a detent mechanism that contributes to token retention and gives users tactile and audible confirmation when an inserted token is physically engaged. The token/receptacle system also provides a Last-On/First-Off (LOFO) contact that is used by system designers to detect when a memory token has been inserted or removed. The SR4410EI receptacle is inserted from behind the panel and features two non-threaded holes allowing for a variety of customer-supplied fasteners to be used. An electrically-conductive gasket is provided with each receptacle.



MECHANICAL	
Operating Life	50,000 Insertion/Removal Cycles Min.
Insertion Force	400 gf Min. / 2 kgf Max.
Removal Force	300 gf Min. / 2 kgf Max.
Vibration	MIL-STD 810F, Test Method 514.5 15 g (three axes) Operating
ELECTRICAL	
Contact Resistance	Beginning of Life: < 100 mΩ End of Life: < 500 mΩ
Line Driver/Buffer	Texas Instruments SN74LVC1G126
ENVIRONMENTAL	
Storage Temperature	-46°C to +100°C
Operating Temperature	-40°C to +85°C
Relative Humidity	5% - 95% (non-condensing)
Salt-Fog	MIL-STD 810F Method 509.4 Proc. 1
MATING COMPONENT(S)	
Memory Tokens	SST, SSM and SSX SPI EEPROM Tokens
Connector	8 Solderable Plated Through Holes
Gasket Material (receptacle provides over-tighten protection)	Electrically-Conductive Silicone
Gasket Thickness	0.032" nominal
ORDERING INFORMATION ¹	
SR4410EI (IP67/EMI)	699-0159-002A

- 1: "A" suffix on part number indicates RoHS compliance. See CE declaration below for details.
- 2: Customers must design to meet Datakey interface specifications to provide for future memory device compatibility. Interface specifications available at datakey.com.

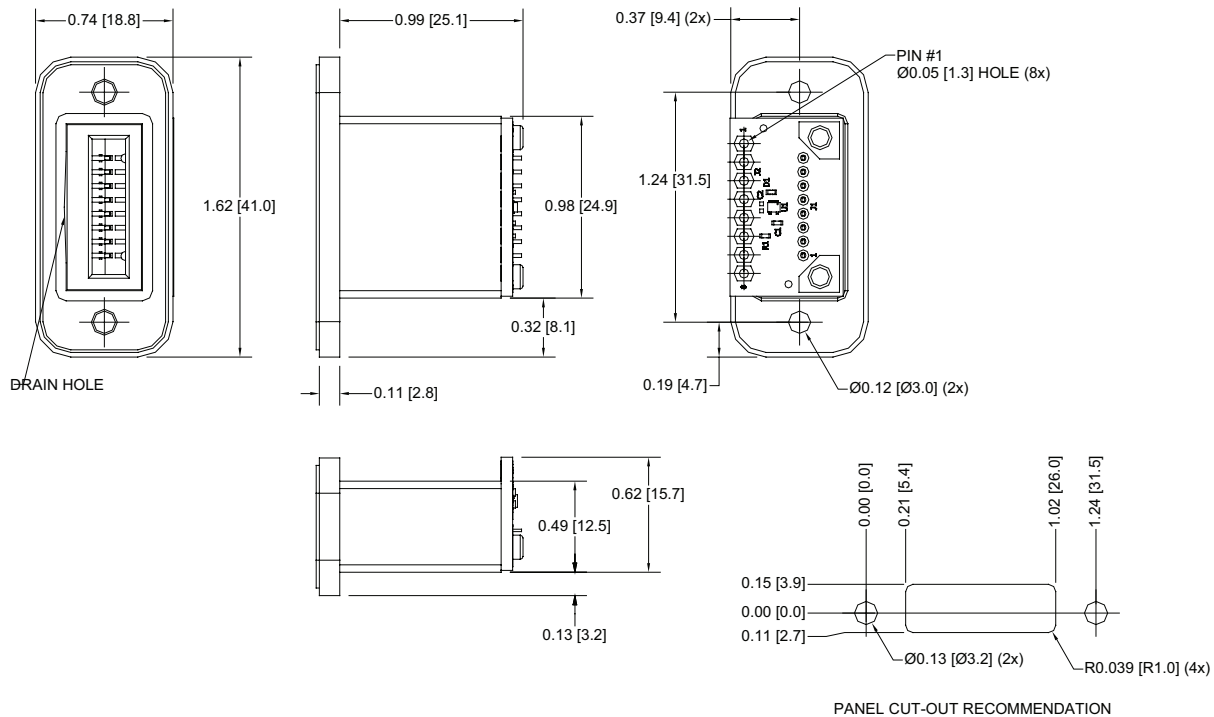
NOTES:

Conforms with Directive 2011/65/EU of the European Parliament and of the Council of 8 June 2011, and as amended by Directive 2015/863/EU, on the restriction of the use of certain hazardous substances in electrical and electronic equipment.



 **WARNING:** Cancer and Reproductive Harm - www.P65Warnings.ca.gov

Special SR4410EI



Installation Recommendation: For best water drainage, it is recommended that the receptacle be installed with the output connector above the housing as shown above.
Note: Installation hardware is supplied by the customer.

Panel Cut-out Recommendation: The above recommended panel cut out is for standard "behind-panel" mounting of the SR4410 receptacle. Contact ATEK for other mounting options.

PIN-OUT CHART ²	
PIN #	SPI
Pin 1	Power (V_{CC})
Pin 2	Ground (GND)
Pin 3	/Hold
Pin 4	/Chip Select (\overline{CS})
Pin 5	Data In (SI)
Pin 6	Data Out (SO)
Pin 7	Serial Clock (SCK)
Pin 8	LOFO

Drawing dimensions are in inches and millimeters [mm].
Dimensions are nominal and subject to manufacturer's tolerances.

221-0200-000 Rev. C 4/19

View our full product line at www.datakey.com

ATEK Access Technologies
10025 Valley View Road, Ste. 190
Eden Prairie, MN 55344 U.S.A.

PH: 1.800.523.6996
FAX: 1.800.589.3705
+1.218.829.9797

www.atekaccess.com



Access the power of technology.