

SR4210

Panel Mount Receptacle



The power of memory. Secured.

SR4210 receptacles mate with all Datakey SlimLine™, Extended SlimLine, NFX, and RUGGEDrive™ memory tokens (see token data sheets for more information).

As with all Datakey SlimLine token receptacles, this series features corrosion resistant, “gold dot” contacts that perform reliably over a wear life of at least 50,000 insertion/removal cycles. The design employs a wiping mechanism to remove any debris or build-up on the token’s contacts each time the token is inserted or removed. The receptacle includes a detent mechanism that contributes to token retention and gives users tactile and audible confirmation when an inserted token is physically engaged. The token/receptacle system also provides a Last-On/First-Off (LOFO) contact that is used by system designers to detect when a memory token has been inserted or removed (contact ATEK for token detection details for NFX and RUGGEDrive tokens). The SR4210 receptacle is designed for front-panel mounting and is held in place using a metal retainer clip.



Retaining Clip included with each SR4210 Panel Mount Receptacle

MECHANICAL	
Operating Life	50,000 Insertion/Removal Cycles Min.
Insertion Force	400 gf Min. / 2 kgf Max.
Removal Force	300 gf Min. / 2 kgf Max.
Vibration	15 g (three axes) Non-operating
ELECTRICAL	
Contact Resistance	Beginning of Life: 100 mΩ
	End of Life: 500 mΩ
ENVIRONMENTAL	
Storage Temperature	-40°C to +100°C
Operating Temperature	-40°C to +85°C
Relative Humidity	5% to 95% (non-condensing)
MATING COMPONENT(S)	
Tokens	All SlimLine, NFX, DFX and UFX Tokens
Connector	Mates with 0.100" IDC Ribbon Cable Connectors
ORDERING INFORMATION ¹	
SR4210	606-0051-000A

1: "A" suffix on part number indicates RoHS compliance. See CE declaration below for details.

2: Customers must design to meet Datakey interface specifications to provide for future memory device compatibility. Interface specifications available at www.datakey.com.

3: RST signal used on IIT Series only.

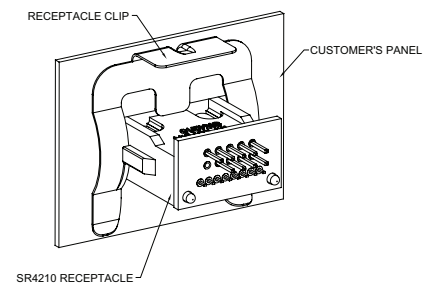
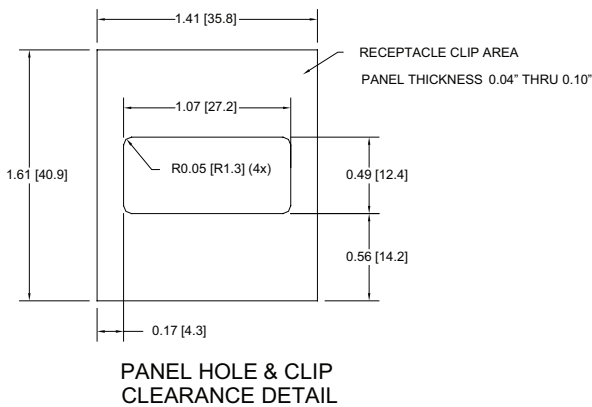
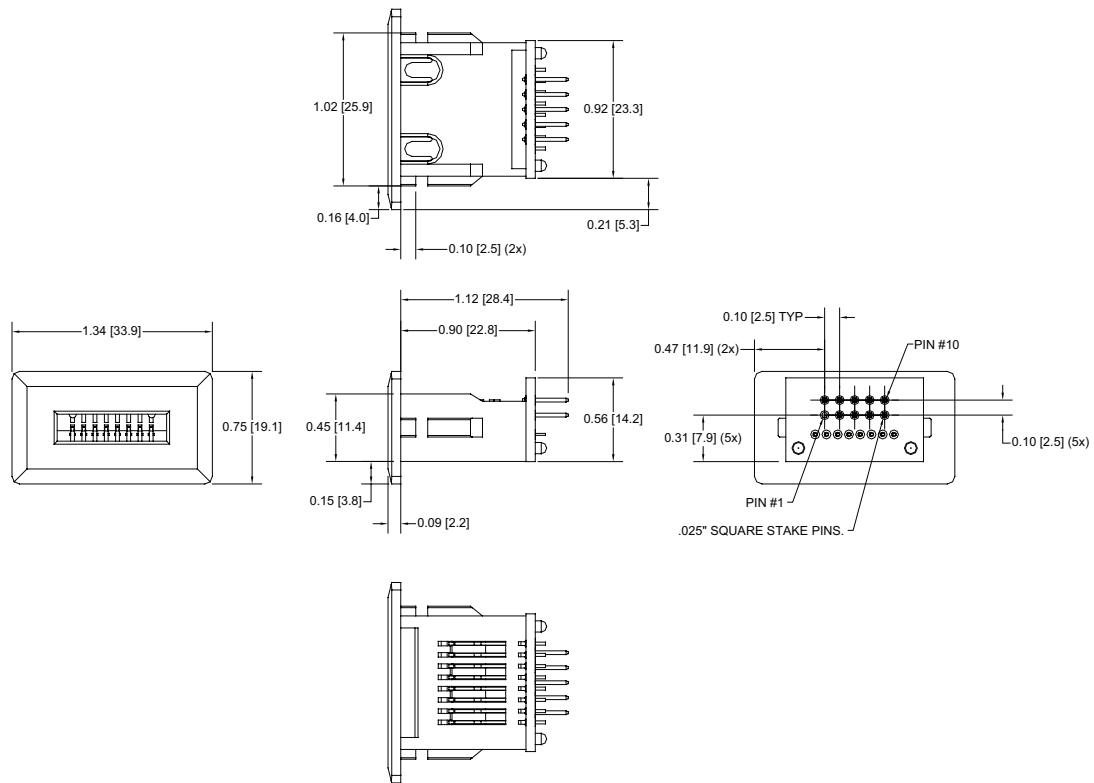
NOTES: Conforms with Directive 2011/65/EU of the European Parliament and of the Council of 8 June 2011, and as amended by Directive 2015/863/EU, on the restriction of the use of certain hazardous substances in electrical and electronic equipment.



WARNING: Cancer and Reproductive Harm - www.P65Warnings.ca.gov

PIN-OUT CHART ²					RUGGEDrive™ LINE		
Pin	Microwire	I ² C	SPI	NFX	DFX (SPI)	DFX (SD)	UFX (USB)
Pin 1	NC	NC	NC	NC	NC (chassis option)	NC	NC
Pin 2	Power (V _{cc})	Power (V _{cc})	Power (V _{cc})	Power (V _{cc})	Data Out (DO)	DAT0	Power (+5V)
Pin 3	Ground (GND)	Ground (GND)	Ground (GND)	Ground (GND)	/Chip Select (/CS)	DAT3	Ground (GND)
Pin 4	Do Not Use	SIZE / RST ³	Do Not Use	Do Not Use	Ground (GND)	NC	NC
Pin 5	Chip Select (CS)	Do Not Use	/Chip Select (/CS)	/Chip Select (/CS)	Ground (GND)	VSS	NC
Pin 6	Data In (DI)	Do Not Use	Data In (SI)	MOSI	Power (V _{cc})	VDD	DP
Pin 7	Serial Clock (SK)	Serial Clock (SCL)	Serial Clock (SCK)	Serial Clock (SCK)	Serial Clock (SCLK)	CLK	DM
Pin 8	Data Out (DO)	Serial Add/Data (SDA)	Data Out (SO)	MISO	Data In (DI)	CMD	NC
Pin 9	Do Not Use	Do Not Use	/Hold	DP (USB)	Reserved	DAT1	NC
Pin 10	LOFO	LOFO	LOFO	DM (USB)	Reserved	DAT2	NC

NC = No Connection



Drawing dimensions are in inches and millimeters [mm].
Dimensions are nominal and subject to manufacturer's tolerances.



221-0126-000 Rev. K 4/19

View our full product line at www.datakey.com

ATEK Access Technologies
10025 Valley View Road, Ste. 190
Eden Prairie, MN 55344 U.S.A.

PH: 1.800.523.6996
FAX: 1.800.589.3705
+1.218.829.9797

www.atekaccess.com



Access the power of technology.