

# Read-Only DFX PC Adapter

## RUGGEDrive™ Interface Adapter



The power of memory. Secured.

Read-Only DFX PC Adapters provide a convenient way to read data from DFX RUGGEDrive™ memory tokens using a PC. The adapter plugs into USB Type A ports. When a DFX token is then inserted, it appears to the computer as a USB flash drive. No special drivers are needed for operating systems that support the USB Mass Storage Class.

Unlike the standard DFX PC Adapter, the Read-Only DFX PC Adapter only allows data to be read from the inserted DFX memory token. Writes are not allowed through the read-only adapter.

When used with DFX memory tokens, Read-Only DFX PC Adapters provide a removable memory system where data can be written to the DFX memory tokens by the embedded system, but when taken to a PC the data can be safely transferred to (or read by) the PC without the risk of the data being accidentally deleted or modified. This setup is ideal for video or data logging that could be used as evidence. If only read-only adapters are used, there is no way to modify or delete the original data stored on the DFX memory token using a PC.

In addition to converting the physical interface from the SlimLine™ contact system of the DFX memory token to the common USB Type A plug, the Read-Only DFX PC Adapter also converts the Secure Digital (SD) electrical interface to a USB 2.0 Hi-Speed interface. While the DFX memory token provides SD card functionality, the Read-Only DFX PC Adapter essentially functions as an SD card reader, accepting DFX memory tokens rather than consumer SD cards.

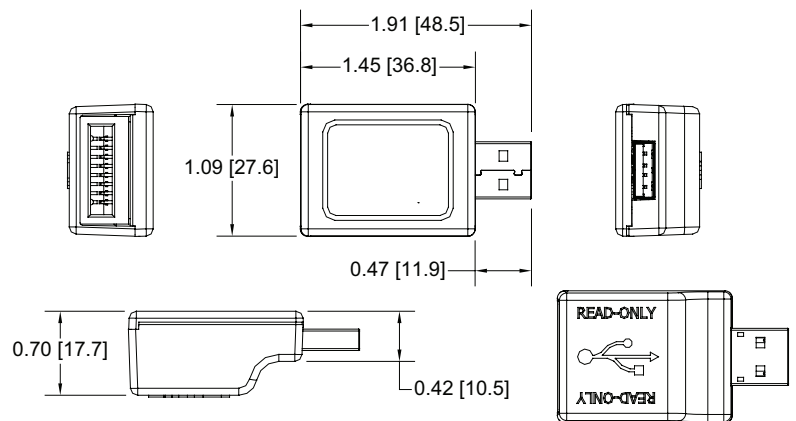


MECHANICAL	
Operating Life (token receptacle)	50,000 Insertion/Removal Cycles Min.
Operating Life (USB Type A connector)	1,500 Insertion/Removal Cycles Min.
ELECTRICAL	
Power Requirements	5 V, Supplied Through USB Port
Interface	USB 2.0 Hi-Speed (through USB Type A plug)
ENVIRONMENTAL	
Storage Temperature	-40°C to +100°C
Operating Temperature	-40°C to +85°C
Relative Humidity	5% to 95% (non-condensing)
RoHS Compliant	Yes
MATING COMPONENT(S)	
DFX PC Adapter	DFX Memory Tokens
ORDERING INFORMATION <sup>1</sup>	
DFX PC Adapter	607-0081-003A

1: "A" suffix on part number indicates RoHS compliance. See CE declaration below for details.

**NOTES:**

- EN 55022 Class A Statement: Warning: This is a Class A product. In a domestic environment this product may cause radio interference in which case the user may be required to take adequate measures.
- DFX PC Adapter was tested for CE conformity while paired with a DFX memory token.
- Conforms with Directive 2011/65/EU of the European Parliament and of the Council of 8 June 2011, and as amended by Directive 2015/863/EU, on the restriction of the use of certain hazardous substances in electrical and electronic equipment.



Drawing dimensions are in inches and millimeters [mm]. Dimensions are nominal and subject to manufacturer's tolerances.

**WARNING:** Cancer and Reproductive Harm - [www.P65Warnings.ca.gov](http://www.P65Warnings.ca.gov)

221-0208-000 Rev. C 12/23

View our full product line at [www.datakey.com](http://www.datakey.com)

ATEK Access Technologies  
10025 Valley View Road, Ste. 190  
Eden Prairie, MN 55344 U.S.A.

PH: 1.800.523.6996  
FAX: 1.800.589.3705  
+1.218.829.9797

[www.atekaccess.com](http://www.atekaccess.com)



Access the power of technology.