

# KSD

## Panel-Mount Receptacle



The power of memory. Secured.

The KSD panel-mount receptacle mates with all Datakey Plug memory tokens, including the KSD, ISP and SSP series tokens (see token datasheets for more details). The receptacle is designed for high-vibration applications, as the plug token locks into the receptacle with a one-eighth-turn of the token's lock top. The receptacle is also designed to be flush-mounted, so no part of the receptacle protrudes from the panel. Additionally, the bail/handle of the plug token also folds flat providing for a completely flush-mounted solution, even when mated.

The receptacle is rated for at least 10,000 insertion removal cycles. The open design of the KSD receptacle allows for easy in-the-field cleaning if needed. A light-duty cap is offered to prevent debris from entering the receptacle cavity when no token will be inserted. The cap is not designed for frequent use/cycling, however. The receptacle achieves an IP65 rating when properly mounted and used with a customer-supplied gasket. Contact ATEK for mounting suggestion.



KSD receptacle with no token



KSD receptacle shown with cap

PIN-OUT CHART <sup>2</sup>			
Pin	Microwire	I <sup>2</sup> C	SPI
1	KGND <sup>3</sup>	KGND <sup>3</sup>	KGND <sup>3</sup>
2	Ground (GND)	Ground (GND)	Ground (GND)
3	Power (V <sub>cc</sub> )	Power (V <sub>cc</sub> )	Power (V <sub>cc</sub> )
4	Chip Select	SIZE / RST	Chip Select
5	Serial Clock	Serial Clock	Serial Clock
6	Data In	NC	Serial Data In
7	Data Out	SDA	Serial Data Out

NC = No Connection

MECHANICAL	
Color	Black
Weight	8.5 g (0.3 oz) Maximum
Contact Life	10,000 Insertion/Removal Cycles Min.
ELECTRICAL	
Contact Resistance	5 Ω Maximum
Resistance Between Contacts	10 MΩ Minimum
ENVIRONMENTAL	
Storage Temperature	-40°C to +100°C
Operating Temperature	-40°C to +85°C
Relative Humidity	5% to 95% (non-condensing)
MATING COMPONENT(S)	
Plug Tokens	KSD, ISP, SSP Plug Tokens
KSD Light-Duty Cap	329-0169-000A
ORDERING INFORMATION <sup>1</sup>	
KSD Receptacle	615-0004-000A
KSD Receptacle-Annealed	615-0003-009A

- 1: "A" suffix on part number indicates RoHS compliance. See CE declaration below for details.
- 2: Interface specifications available at [www.datakey.com](http://www.datakey.com).
- 3: KGND is internally connected to GND. The host circuit can use this signal to detect the presence of the token by pulling it to high (V<sub>cc</sub>) then a low (GND) signal indicates the token is present.

#### NOTES:

Conforms with Directive 2011/65/EU of the European Parliament and of the Council of 8 June 2011, and as amended by Directive 2015/863/EU, on the restriction of the use of certain hazardous substances in electrical and electronic equipment.



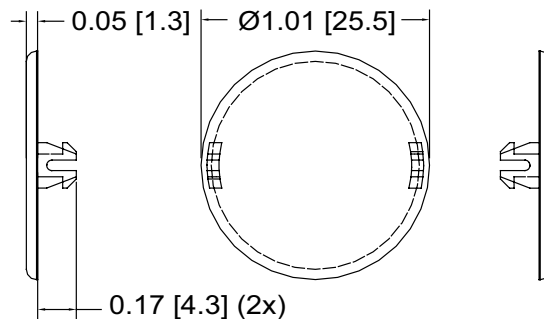
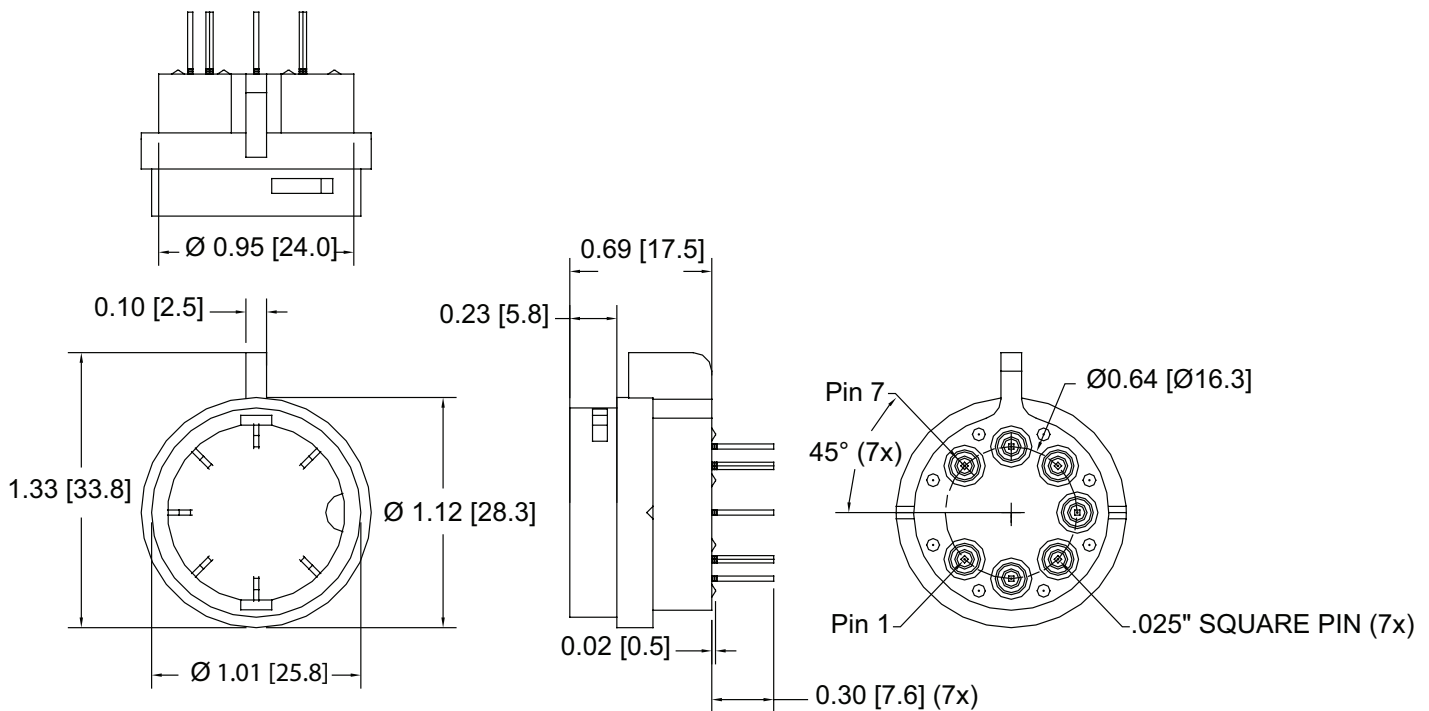
WARNING: Cancer and Reproductive Harm - [www.P65Warnings.ca.gov](http://www.P65Warnings.ca.gov)



# KSD Receptacle



The power of memory. Secured.



KSD Light-Duty Cap

Drawing dimensions are in inches and millimeters [mm].  
Dimensions are nominal and subject to manufacturer's tolerances.

221-0107-000 Rev. F 7/23

View our full product line at [www.datakey.com](http://www.datakey.com)

ATEK Access Technologies  
10025 Valley View Road, Ste. 190  
Eden Prairie, MN 55344 U.S.A.

PH: 1.800.523.6996  
FAX: 1.800.589.3705  
+1.218.829.9797

[www.atekaccess.com](http://www.atekaccess.com)



Access the power of technology.