

KC4210 Series

Serial Memory Key Receptacle

The KC4210 panel-mount key receptacle interfaces with all Datakey serial memory keys. The receptacle uses built-in retaining tabs for quick and easy installation – no additional hardware is required to mount the receptacle to the panel. The KC4210 also features a Last-On/First-Off (LOFO) switch that may be used to protect the host bus by ensuring the key has made secure contact with the key receptacle before any signals are transmitted. Designed for maximum reliability, the receptacle utilizes a redundant contact system that provides a reliable connection over an operating life of at least 200,000 cycles. The KC4210 receptacle is also available in a version where the PCB has been conformal coated (KC4210CC).



PIN-OUT CHART ³			
Pin	Microwire	I ² C	SPI
1	NC	NC	NC
2	Power (V _{cc})	Power (V _{cc})	Power (V _{cc})
3	Ground (V _{ss})	Ground (V _{ss})	Ground (V _{ss})
4	NC	SIZE / RST ⁴	/Hold
5	Chip Select	NC	/Chip Select
6	Data In	NC	Data In
7	Serial Clock	Serial Clock	Serial Clock
8	Data Out	Serial Add/Data	Data Out
9	NC	NC	NC
10	LOFO	LOFO	LOFO

NC = No Connection

MECHANICAL	
Operating Torque	85 mN-m (12 oz-in) Maximum
Operating Life	200,000 Insertion/Removal Cycles Min.
Key Stop Sustaining Torque	1.7 N-m (15 in-lbf)
Vibration	15 g (three axis)
Condition	2 mm Peak Amplitude Sinusoidal
Excitation	100 rad/s. to 2000 rad/s
	No Mechanical Degradation
	No Contact Discontinuity in Excess of 1µs
	Refer to MIL-C55302 & MIL-1344
ELECTRICAL	
Contact Resistance	Beginning of Life: 100 mΩ End of Life: 500 mΩ
Terminal to Adjacent Terminal	200 V
Terminal to Opposite Terminal	500 V
Terminal to Mounting Panel	1500V
ENVIRONMENTAL	
Storage Temperature	-40°C to +105°C
Operating Temperature	-40°C to +80°C
Relative Humidity	5% to 95% (non-condensing)
MATING COMPONENT(S)	
Keys	All Serial and Secure Memory Keys
ORDERING INFORMATION ¹	
KC4210 ²	606-0052-018A
KC4210CC Slotted	606-0052-020A

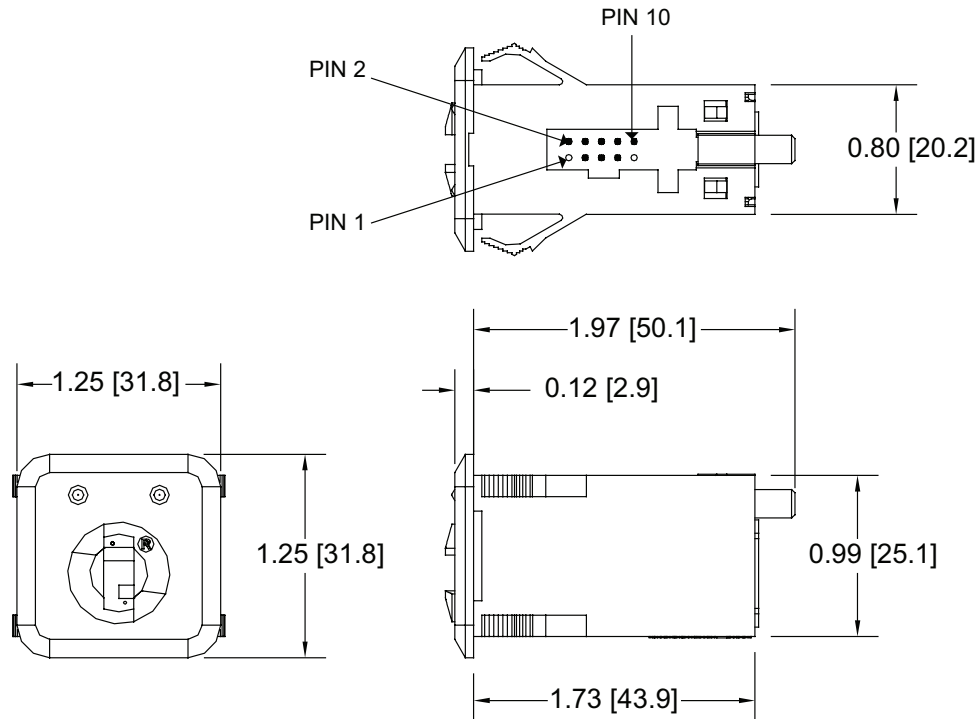
- 1: "A" suffix on part number indicates RoHS compliance. See CE declaration below for details.
- 2: The KC4210 is also available with LED indicators (see KC4210L).
- 3: Interface specifications available at www.datakey.com.
- 4: RST signal used on IIK Series only.

NOTES:

Conforms with Directive 2011/65/EU of the European Parliament and of the Council of 8 June 2011, and as amended by Directive 2015/863/EU, on the restriction of the use of certain hazardous substances in electrical and electronic equipment.



 **WARNING:** Cancer and Reproductive Harm - www.P65Warnings.ca.gov

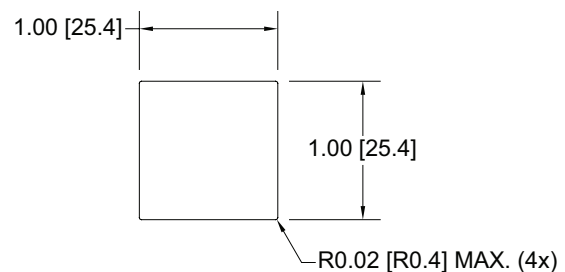


Use for all cable connectors: 0.100" [2.54] centerline ribbon cable connector.

Retaining tabs pre-trimmed for 0.060" [1.52] thick panel.

Panel Hole: Max panel thickness: 0.156" [3.96].

For installation instructions, contact ATEK Access Technologies.



SUGGESTED PANEL OPENING

Drawing dimensions are in inches and millimeters [mm].
Dimensions are nominal and subject to manufacturer's tolerances.

221-0094-000 Rev. E 4/19

View our full product line at www.datakey.com

ATEK Access Technologies
10025 Valley View Road, Ste. 190
Eden Prairie, MN 55344 U.S.A.

PH: 1.800.523.6996
FAX: 1.800.589.3705
+1.218.829.9797

www.atekaccess.com



Access the power of technology.